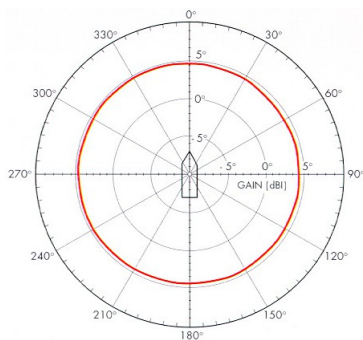


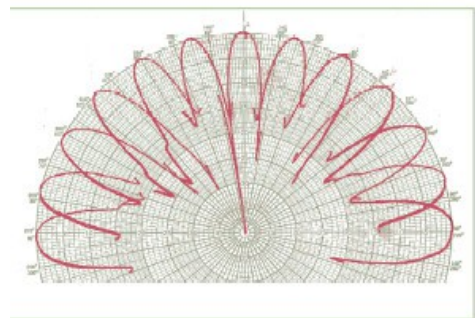
Specification



Model:	ABAN-2028-HE3-RHC
Frequency Range:	2000-2800MHz
Pattern:	Hemi Spherical Antenna
Polarisation:	Right Hand Circular RHC (LHC available)
Horizontal Beamwidth:	360° nominal
Elevation Beamwidth:	180° nominal
Gain:	3dB nominal
VSWR:	< 1.4:1 across the band nominal
RF Power Handling:	25W
Mechanical Form:	Dome with connector underneath
Size:	130x50 mm plus connector
Mass:	95g
RF Connector:	SMA Female Straight
Colour:	Black or White Standard. Other colours by request
Options:	
RF Connector:	SMA Male, SMA Right Angle



Horizontal



Elevation